

# Trimless Grid Metal

Grid Trimless Single MR16 12V  
50W White



**MR. RESISTOR**<sup>®</sup>  
Lighting Specialist Est. 1968



## FRT100 MR16 WHT

50W White

Quicklink: Q1C86

### General

Cap	GU5.3 / MR16
Colour	White
Construction	Steel
Dimmable	Yes
IP Rating	IP20

### Dimensions

Cut Out	112 x 112mm (Length x Width)
Depth	91mm
Horizontal Rotation	45°
Length	102mm
Vertical Rotation	45°
Width	102mm

### Electrical

Maximum Wattage	50W
Voltage	12V

The **Grid Trimless Single MR16** is an adjustable downlighter that can take up to a 50W lamp, which can be angled in any direction.

This product comes with a mounting ring which is designed to be fitted into the ceiling and plastered in before the light fixture is put into place. The downlighter fits into the hole in the ceiling and will rest on top of the mounting bracket. Once the light is fitted there will be no trim unlike the similar *Grid Range* of products.

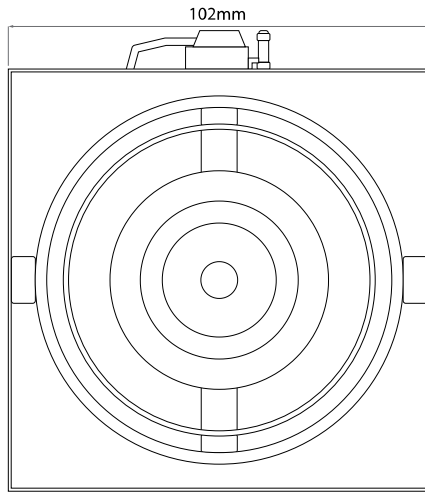
This version takes a low voltage GU5.3 50W maximum lamp (available separately). If you wish to see detailed installation instructions, please click on the technical tab.

# Trimless Grid Metal

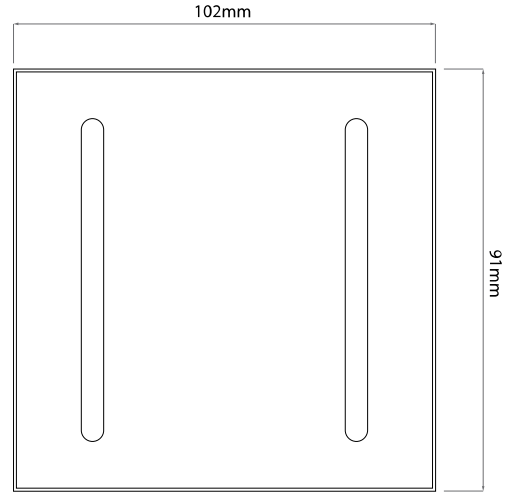
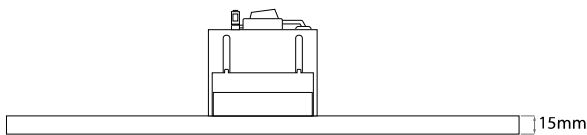
Grid Trimless Single MR16 12V  
50W White



**MR. RESISTOR**<sup>®</sup>  
Lighting Specialist Est. 1968



Section drawing for FRT100 Frame 15mm



Section drawing for FRT100 Frame 28mm

