

# Tulip

Tulip Linear Pendant Light 24V  
27W 4000K Cool White Black



## TULIP DM 1131 4K

27W 4000K Cool White Black  
Quicklink: Q6D9F

### General

Cable Colour	Black
Colour	Black
Dimmable	Yes
IP Rating	IP20

### Dimensions

Height	75mm
Length	1131mm
Width	65mm

### Electrical

Maximum Wattage	27W
Voltage	24V

### Light Characteristics

Colour Rendering Index	95
Colour Temperature	4000K Cool White
Lumens	1750 lm
Lumens Per Watt	65 lm/W

Experience the timeless allure of black with the **KLUS Tulip Pendant Light**, a luminaire that blends minimalist design with advanced functionality. Inspired by raw materials and the energy of urban living, it offers a sleek, modern aesthetic that adapts effortlessly to a variety of lighting applications. The black finish adds a touch of elegance and sophistication while making a bold, unconventional statement.

Designed for intuitive use, the Tulip Lamp features specially engineered mounting straps that allow smooth adjustment and complete 360-degree rotation. The semi-circular curvature of the upper housing enhances freedom of movement, while the strap system automatically wedges under the lamp's weight, ensuring secure, tool-free positioning. The smooth body and flexible components make cleaning and maintenance simple, and the lamp's thoughtful construction provides easy access to serviceable parts.

More than just a lighting fixture, the Tulip Pendant is a design statement—an expression of personality and style. It is available with three advanced optical options to suit different lighting needs: lens with reflector, prismatic lens, or lamellae.

### Key Features

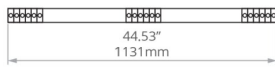
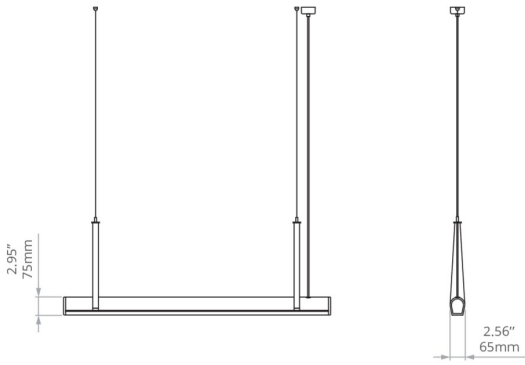
- Easy and intuitive adjustment, thanks to specially designed belts - the design provides full freedom of rotation, in every direction, by 360 degrees
- Minimalist design inspired by raw materials and urban aesthetics
- Elegant black finish for a bold and sophisticated look
- Specially engineered straps for smooth, tool-free adjustment
- Full 360° rotation for flexible lighting direction
- Semi-circular upper housing enhances ergonomic movement
- Straps automatically wedge under the lamp's weight for secure positioning
- Ability to slide straps along the luminaire
- Available with three optical options: lens with reflector, prismatic lens, or lamellae
- Standardly equipped with a DALI power supply, enabling integration with the control system

### Product Video

# Tulip

Tulip Linear Pendant Light 24V  
27W 4000K Cool White Black

---



DOT optics / blend