

Drayton

Drayton Lantern Pendant Light LA7019-5

50W Satin Nickel



LANTDRAYTON5 SN

50W Satin Nickel

Quicklink: Q6721

General

Cap	SES / E14
Colour	Satin Nickel
Construction	Metal
Dimmable	Yes
IP Rating	IP20
Weight	5.50kg

Dimensions

Cable Length	2m
Diameter	540mm
Height	490mm

Electrical

Maximum Wattage	50W (5 x 10W)
Voltage	240V

Drayton Lantern range, an exquisite pendant light that epitomizes traditional elegance. Crafted with meticulous attention to detail, Drayton features a captivating antique gold finish that complements any traditional interior decor. Its classic design features clear glass panels, a ceiling rose, and an ornate chain and frame, reminiscent of timeless lantern styles.

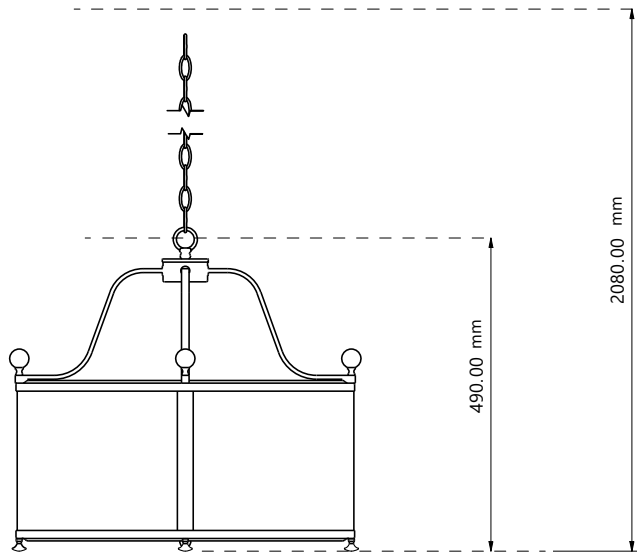
Drawing inspiration from age-old aesthetics, this splendid pendant light showcases a candelabra adorned with five lamp holders.

With its adjustable height and versatile chain and cable, Drayton offers flexibility in installation, allowing it to seamlessly adapt to any space. Whether suspended gracefully or mounted flush to the ceiling, this remarkable light fixture radiates an abundance of light, making it ideal for traditional interiors.

Illuminate your surroundings with the timeless allure of Drayton pendant light, perfect for adding a touch of classic sophistication into your living spaces.

Drayton

Drayton Lantern Pendant Light LA7019-5
50W Satin Nickel



TOPVIEW

