

SR-2303P (4IN1)

240-960W 12-48V
Quicklink: Q62DE

General

Colour White
Construction Plastic
Dimmable Yes

Operating Temperature -20°C +50°C

Dimensions

Height 28mm
Length 170mm
Width 53.4mm

Electrical

Amperage 20A
Input Voltage 12-48V
Maximum Wattage 960W

The SR-2303P (4IN1) is mains dimming boost interface that allows a standard 240V wall dimmer to control large constant-voltage LED loads smoothly and reliably. Instead of dimming the LEDs directly, the wall dimmer is used purely as a control signal, while the LED power comes from a separate DC power supply. The interface converts the phase-cut signal into a PWM output, removing the wattage and minimum-load limitations normally associated with mains dimming.

In practice, this means a typical 100W wall dimmer can be used to control much larger LED loads, because the dimmer is used purely as a control input while the LED power is supplied separately. It supports both leading-edge and trailing-edge dimmers and is designed for constant-voltage LED systems operating from 12V to 48V DC, with a maximum output of 20A. Depending on voltage, it can control up to 240W at 12V, 480W at 24V, 720W at 36V or 960W at 48V.

It combines four dimming interfaces in one unit: DALI, Push, Phase Cut, and 0/1-10V. The desired interface can be easily selected using DIP switches, making the dimmer flexible for different control systems.

The dimmer features one constant-voltage output channel supporting 12V, 24V, 36V, or 48V DC, with a maximum output of 20A. It operates on a 12-24V DC power input, making it suitable for a wide range of LED lighting applications.

- For **phase-cut control**, the dimmer supports both leading-edge and trailing-edge dimming, ensuring compatibility with most universal phase-cut dimmers on the market.
- When used in **DALI mode**, the dimmer fully complies with DALI standards IEC 62386-101, IEC 62386-102, and IEC 62386-207, guaranteeing seamless compatibility with all standard DALI systems.
- When the **0/1-10V interface** is selected, the dimmer is compatible with standard 0/1-10V control dimmers, providing reliable and smooth dimming performance.

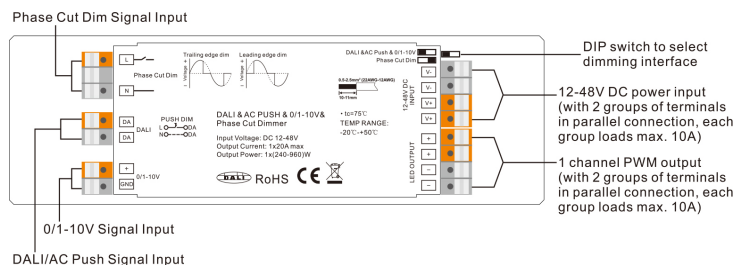
Part No.	Input Voltage	Output Current	Output Voltage	Maximum Output Power
SR-2303P (4 in 1)	12-48VDC	Max. 20A	12-48VDC	240W @ 12V, 480W @ 24V, 720W @ 36V, 960W @ 48V

Key Features

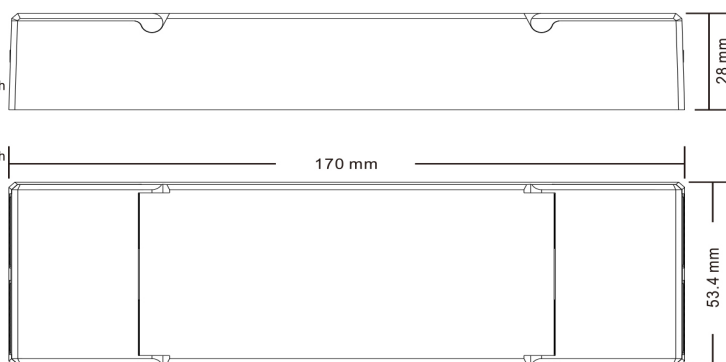
- Multifunction LED Dimmer
- With DALI-2, Push, Phase Cut, 0/1-10V 4 dimming interfaces in 1
- Dip switch to select different dimming interfaces
- 1 channel 12-48VDC output, max 20A
- Supports both leading and trailing edge dimming input
- Match all DALI system in the market
- 1 DALI address assigned by DALI master
- To work with power repeater to expand output power unlimitedly
- IP20 rating, suitable for indoor LED lighting applications.

Safety & Warnings:

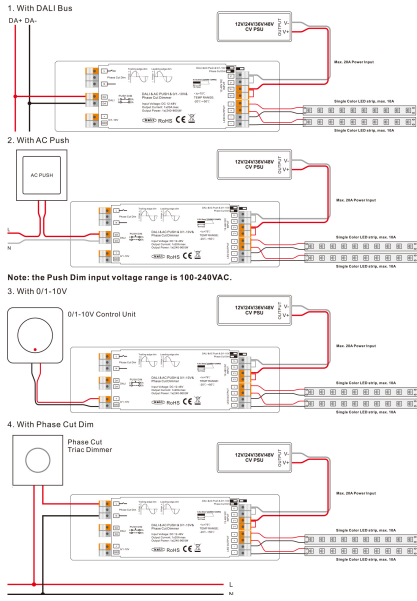
- DO NOT install with power applied to device
- Do not select dimming input with power applied to the device
- DO NOT expose the device to moisture



Product Dimension



Wiring Diagram (When connecting with two separate loads and each one is not over 10A)
Note: the device allows 0.5-2.5mm² wire specifications, please make sure the rated current of the used wire is enough for the loads.



Wiring Diagram (When connecting with a single load that is over 10A)
Note: the device allows 0.5-2.5mm² wire specifications, please make sure the rated current of the used wire is enough for the loads.

