



HTI SR2701S-DT7

300W
Quicklink: Q5471

General

Colour	White
Construction	Plastic
Dimmable	No
IP Rating	IP20

Dimensions

Height	20.3mm
Length	45.5mm
Width	45mm

Electrical

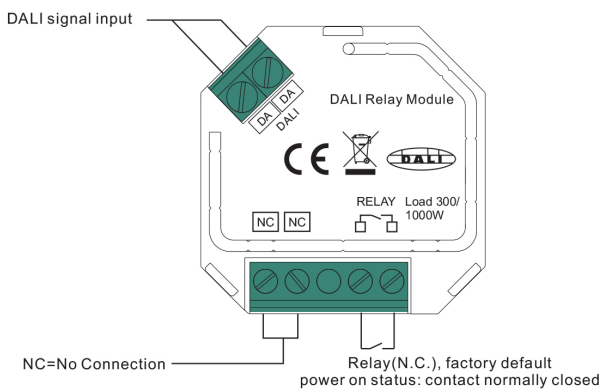
Maximum Wattage 300W

The DALI-2 Relay Module enables the control of standard consumers via a DALI channel. Typical application scenarios are the integration of non-DALI luminaires or other loads like fans in toilets or washrooms and motors for partition walls or screens in DALI lighting applications.

It supports a wide voltage range of 120 - 347 V AC and up to 30 V DC. Zero cross switching technology is used to be able to handle the large in-rush currents typically found in lighting applications.

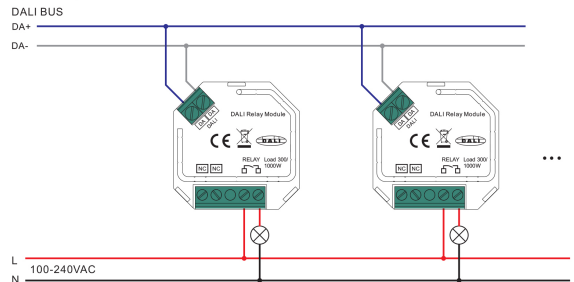
The DALI 2 relay module controller is Volt free output which enables a contactor (12/24 VDC or 230VAC) to be controlled so that different loads can be switched ON/OFF via DALI commands.

Function introduction



Wiring diagram

(1) Switching of 100-240VAC load



(2) Switching of 12/24VDC load

