



FIRE MR2029 WH

50W White
Quicklink: Q4AA4

General

Cap	GU10
Colour	White
Construction	Die-Cast Aluminium
Dimmable	Yes

Dimensions

Cut Out	78mm (Diameter)
Diameter	92mm
Minimum Ceiling Depth	88mm
Vertical Rotation	20°

Electrical

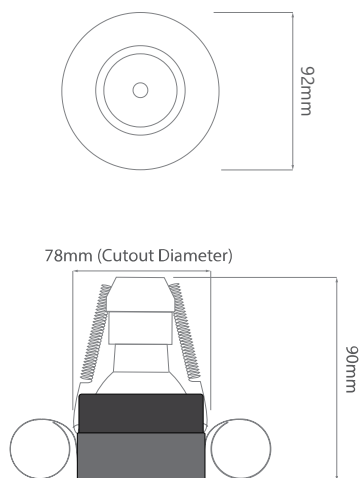
Maximum Wattage	50W
Voltage	240V

The **Adjustable Fire-rated Downlight** holds a GU10 lamp or LED module. The downlight uses a spring retention system for easy installation and lamp changing. The light can be adjusted up to 20° (10° max for longer lamps) for directional lighting.

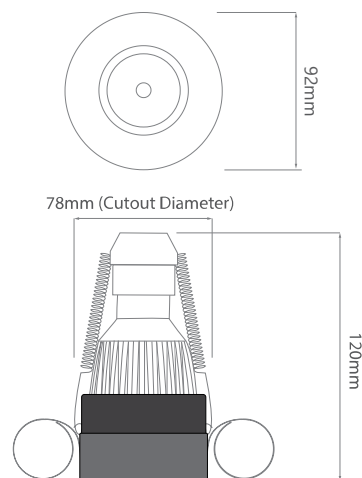
Please note: the ceiling depth for this downlight depends on the lamp choice. For a Retro 5W GU10 lamp, the depth is 88mm. For a 7W LED GU10 lamp a ceiling depth of 120mm should be allowed.



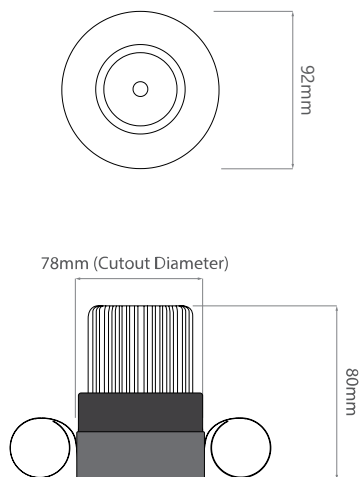
Dimensions using our GU10 LED 5W Retro lamps



Dimensions using our GU10 LED 7W lamps



Dimensions using our LED Module



Dimensions using our LED Module

