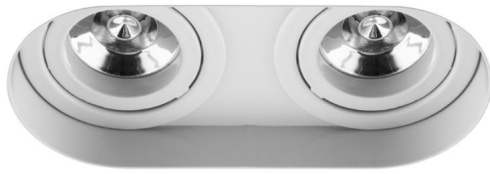


# Trimless Round Metal

Trimless Double Round Adjustable Downlight GU10 240V  
RAL 9010 Pure White 2 x 50W



## FRTRD2 WHT GU10

RAL 9010 Pure White 2 x 50W

Quicklink: Q4A04

The **Trimless Double Round Downlight** is a fully adjustable downlight that is available in round or square, black or white. Using the different lampholders available you can select different light sources; Halogen, LED and Metal Halide. It is designed to be plastered into ceilings to give a **seamless** appearance. One of the advantages is that the downlight can be installed then plastered and painted.

### General

Cap	GU10
Colour	White
Construction	Die-Cast Aluminium / Steel Frame
Dimmable	Yes
RAL Colour Code	RAL 9010

### Dimensions

Cut Out	155 x 85mm (Length x Width)
Horizontal Rotation	360°
Length	210mm
Minimum Ceiling Depth	100mm (Standard LED), 132mm (Long LED)
Recessed Depth	20mm
Vertical Rotation	40°
Width	120mm

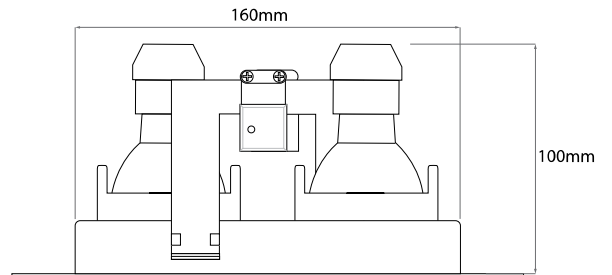
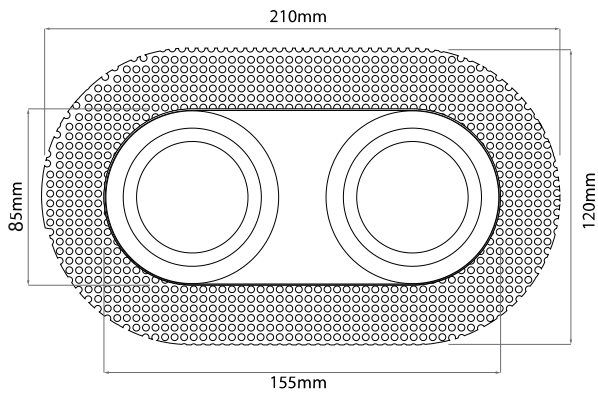
### Electrical

Maximum Wattage	100W (2 x 50W)
Voltage	240V

# Trimless Round Metal

Trimless Double Round Adjustable Downlight GU10 240V  
RAL 9010 Pure White 2 x 50W

---



Trimless Round Downlight with 25mm LED Module

