

# Trimless Round Metal

Trimless Round Adjustable LED GU10 Emergency Kit

Black 9W



**MR. RESISTOR**<sup>®</sup>  
Lighting Specialist Est. 1968



## FRTRD1BLKGU10A/EMERG

Black 9W

Quicklink: Q45F4

### General

Cap	GU10
Colour	Black
Construction	Die-Cast Aluminium / Steel Frame
Dimmable	Yes

Battery	3 hrs
Emergency Type	Maintained

### Dimensions

Cut Out	80mm (Diameter)
Diameter	75mm
Grid Diameter	125mm
Horizontal Rotation	360°
Minimum Ceiling Depth	101mm (Standard LED), 133mm (Long LED)
Pack Diameter	60mm
Pack Length	560mm
Vertical Rotation	40°

### Electrical

Maximum Wattage	9W
Voltage	240V

The **Trimless Downlight** is a fully adjustable downlight that is available in round or square, black or white. It is designed to be plastered into ceilings to give a **seamless** appearance. One of the advantages is that the downlight can be installed then plastered and painted.

**Please note:** the ceiling depth for this downlight depends on the lamp choice. For a standard halogen GU10 lamp the depth is 90mm. For an LED GU10 lamp a ceiling depth of 130mm should be allowed.

This kit includes the **LED GU10 Emergency Pack 240V** which is a remote pack designed to fit through a 60mm aperture to convert LED GU10 lights to emergency.

**LED lamp not included.** All GU10 lamps linked have been tested and approved to work with this product. The LED GU10 Emergency Pack 240V will run these lamps on DC in emergency so the lamp must be suitable for low power DC operation. LED GU10 lamps that cannot run in DC voltage will not be compatible with this product.

Emergency packs are used in commercial buildings as a safety precaution during a power outage, so that people will be able to find their way out of a building in the event of an emergency.

This is a maintained emergency pack.

**Maintained Emergency Lighting:** The emergency light units are illuminated at all times using the same lamps for both normal and emergency operation. Please note maintained fittings can be wired as non-maintained.

**Non-Maintained Emergency Lighting:** A non-maintained fitting is not illuminated until the event of power failure.

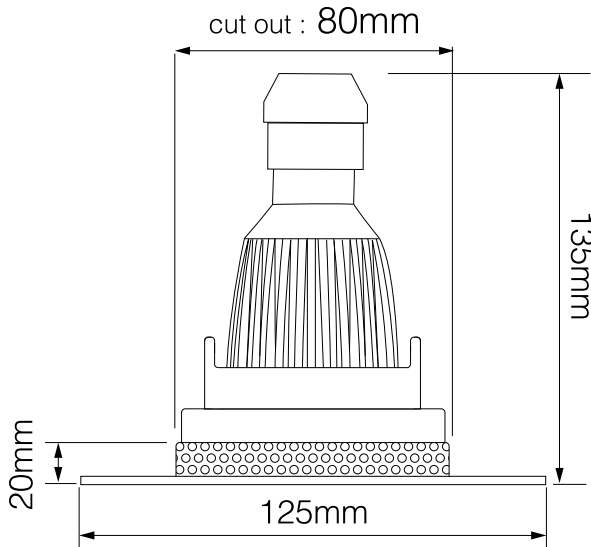
# Trimless Round Metal

Trimless Round Adjustable LED GU10 Emergency Kit  
Black 9W

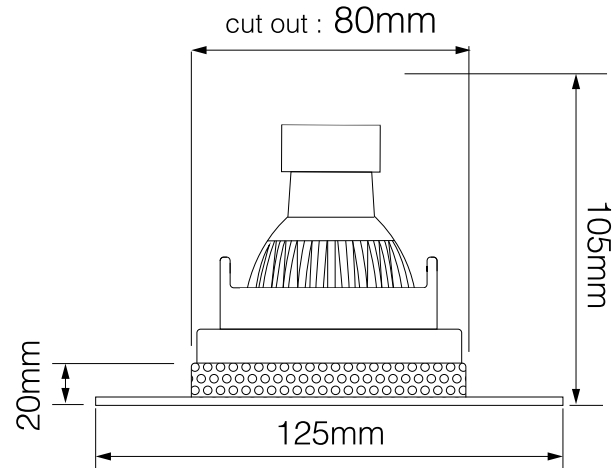


**MR. RESISTOR**<sup>®</sup>  
Lighting Specialist Est. 1968

Trimless Downlights with Large GU10 Lamp



Trimless Downlights with Retro GU10 Lamp



Trimless Downlights with LED Module

