



MR2029/EMERG CHR

Chrome 9W

Quicklink: Q45EF

General

Cap	GU10
Colour	Chrome
Construction	Die-Cast Aluminium
Dimmable	Yes

Battery	3 hrs
Emergency Type	Maintained

Dimensions

Cut Out	62mm (Diameter)
Diameter	72mm
Horizontal Rotation	360°
Minimum Ceiling Depth	86mm (Standard LED), 118mm (Long LED)
Pack Diameter	60mm
Pack Length	560mm
Vertical Rotation	30°

Electrical

Maximum Wattage	9W
Voltage	240V

The 50mm Tilting Downlighter holds a 50mm lamp. The downlighter uses a spring retention system for easy installation and lamp changing. The light can be adjusted up to 30° for directional lighting.

Please note: the ceiling depth for this downlight depends on the lamp choice. For a standard halogen GU10 lamp the depth is 85mm. For an LED GU10 lamp a ceiling depth of 120mm should be allowed.

This kit includes the **LED GU10 Emergency Pack 240V** which is a remote pack designed to fit through a 60mm aperture to convert LED GU10 lights to emergency.

LED lamp not included. All GU10 lamps linked have been tested and approved to work with this product. The LED GU10 Emergency Pack 240V will run these lamps on DC in emergency so the lamp must be suitable for low power DC operation. LED GU10 lamps that cannot run in DC voltage will not be compatible with this product.

Emergency packs are used in commercial buildings as a safety precaution during a power outage, so that people will be able to find their way out of a building in the event of an emergency.

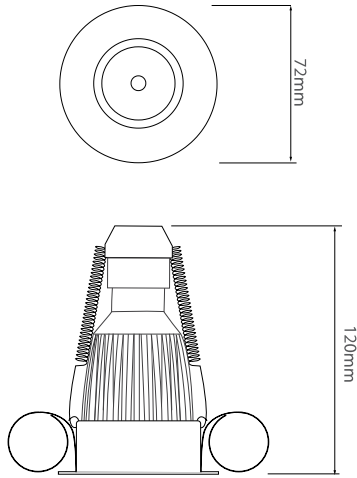
This is a maintained emergency pack.

Maintained Emergency Lighting: The emergency light units are illuminated at all times using the same lamps for both normal and emergency operation. Please note maintained fittings can be wired as non-maintained.

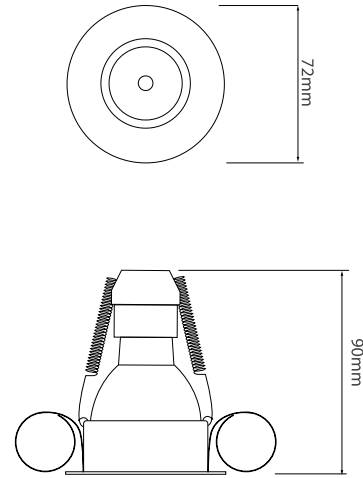
Non-Maintained Emergency Lighting: A non-maintained fitting is not illuminated until the event of power failure.



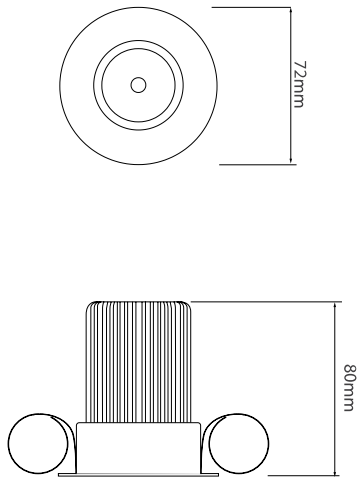
Dimensions using our GU10 LED 7W lamps



Dimensions using our GU10 LED 5W Retro lamps



Dimensions using our LED Module



Dimensions using our LED Module

