



TALDL336/B BLACK

50W Black

Quicklink: Q4474

General

Cap	GU10
Colour	Black
Construction	Die-Cast Aluminium
Dimmable	Yes

Dimensions

Cut Out	82mm (Diameter)
Diameter	89mm
Horizontal Rotation	350°
Minimum Ceiling Depth	76mm (Standard LED), 108mm (Long LED)
Vertical Rotation	30°

Electrical

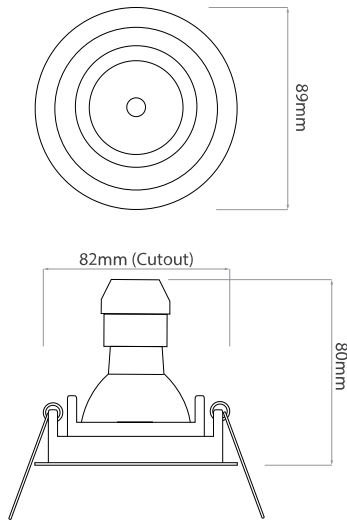
Maximum Wattage	50W
Voltage	240V

The Rock 'n' Roll adjustable downlight has an inner and middle ring that tilts through 30° and rotates through 350° respectively. A combination that allows you full control over the direction of the light source.

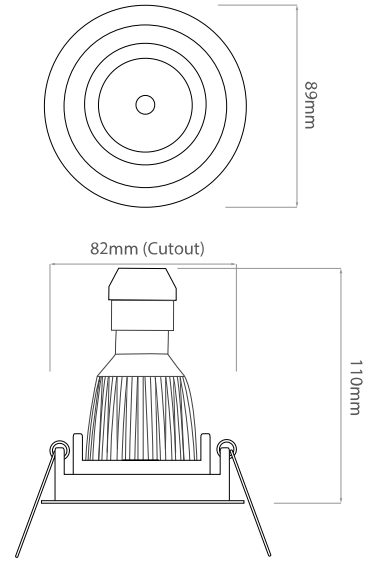
When fitted the outer ring is permanently attached to the ceiling while the two inner rings, which form one unit, can easily be pulled out to reveal the lampholder. This makes lamp replacement effortlessly simple.



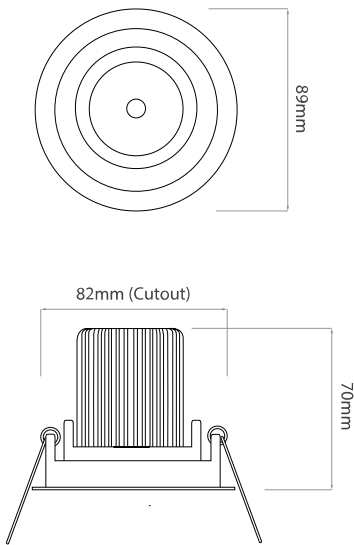
Dimensions using our GU10 LED 5W Retro lamps



Dimensions using our GU10 LED 7W Large lamps



Dimensions using our LED Module



Dimensions using our LED Module

