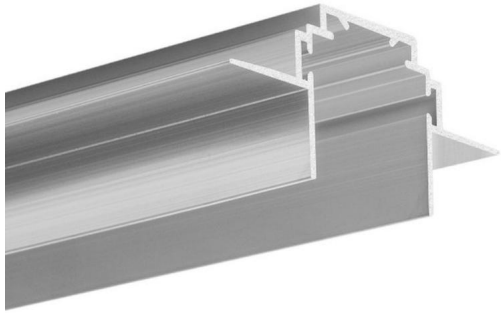


Teknik LED Extrusion Profile - Ceiling

Tekni LED Tape Extrusion Profile

Aluminium 2000mm



TEKNIK ANOD 2M

Aluminium 2000mm

Quicklink: Q3D77

Technical extrusion designed for making precise grooves in the surfaces of drywall or drywall ceiling in order to embed suitable LED extrusions such as: LOKOM, GIZA, GIP, LIPOD. TEKNIK extrusion is mounted together with the construction of drywall and drywall ceiling.

This extrusion has not been anodized.

General

Colour Aluminium

Construction Aluminium

Dimensions

Depth 29mm

Length 2m

Minimum Ceiling 15mm

Depth

Width 66mm

