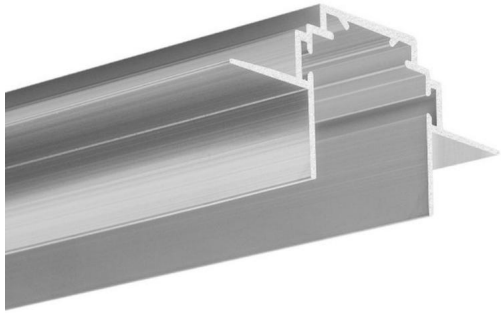


Teknik LED Extrusion Profile - Ceiling

Tekni LED Tape Extrusion Profile
Aluminium 2000mm



MR. RESISTOR[®]
Lighting Specialist Est. 1968



TEKNIK ANOD 2M

Aluminium 2000mm
Quicklink: Q3D77

Technical extrusion designed for making precise grooves in the surfaces of drywall or drywall ceiling in order to embed suitable LED extrusions such as: LOKOM, GIZA, GIP, LIPOD. TEKNIK extrusion is mounted together with the construction of drywall and drywall ceiling.

This extrusion has not been anodized.

General

Colour Aluminium
Construction Aluminium

Dimensions

Depth 29mm
Length 2m
Minimum Ceiling 15mm
Depth
Width 66mm

