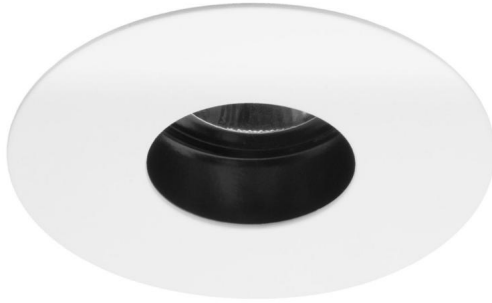


Invisible Round

Invisible Fixed Round Downlight GU10 240V
50W RAL 9010 Pure White



TALDLP3001 RS

50W RAL 9010 Pure White
Quicklink: Q3B64

General

| | |
|-----------------|--------------------|
| Cap | GU10 |
| Colour | White |
| Construction | Die-Cast Aluminium |
| Dimmable | Yes |
| IP Rating | IP00 |
| RAL Colour Code | RAL 9010 |

Dimensions

| | |
|-----------------------|---------------------------------------|
| Cut Out | 67mm (Diameter) |
| Diameter | 90mm |
| Minimum Ceiling Depth | 85mm (Standard LED), 117mm (Long LED) |

Electrical

| | |
|-----------------|------|
| Maximum Wattage | 50W |
| Voltage | 240V |

The **Invisible Fixed Round** is a fixed downlight designed to blend seamlessly into its surroundings. It has an unobtrusive one millimetre plate that sits practically flush to the ceiling when fitted and contains a baffle that recesses the lamp to reduce glare.

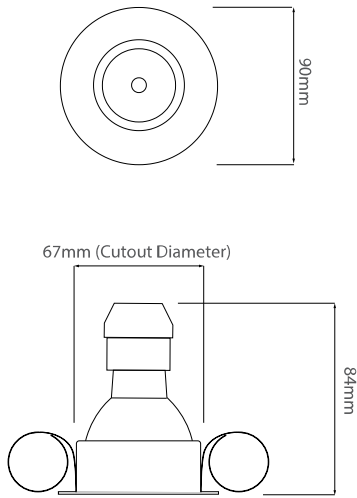
Please note: the ceiling depth for this downlight depends on the lamp choice. For a standard GU10 lamp the depth is 85mm. For a LED GU10 lamp a ceiling depth of 115mm should be allowed.

The Invisible range has been **designed to be overpainted in Situ** in the ceiling if necessary. The fitting is painted RAL9010 - 30% Gloss level which has a slightly matt surface, to which the emulsion or other paints will adhere to. The finish from the factory is good enough for normal use and will blend in with the most common ceiling finishes. The slightly matt finish on the product will allow it to be carefully repainted to suit any other ceiling colours.

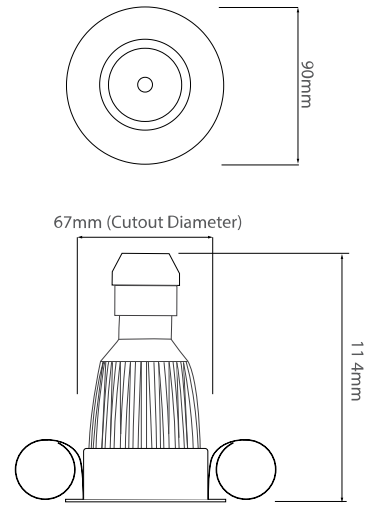
Invisible Round

Invisible Fixed Round Downlight GU10 240V
50W RAL 9010 Pure White

Dimensions using our LED 5W Retro lamps



Dimensions using our GU10 LED 7W lamps



Dimensions using our LED Module

