

Trimless Square Metal

Trimless Square Fixed Clear Glass Downlight IP55 GU10 240V
White 50W



FRTSQ1WHTGU10IP55

White 50W
Quicklink: Q3824

General

Cap	GU10
Colour	White
Construction	Die-Cast Aluminium
Dimmable	Yes
IP Rating	IP55

Dimensions

Cut Out	90 x 90mm (Length x Width)
Grid Length	125mm
Grid Width	125mm
Horizontal Rotation	360°
Length	75mm
Minimum Ceiling Depth	101mm (Standard LED), 133mm (Long LED)
Vertical Rotation	40°
Width	75mm

Electrical

Maximum Wattage	50W
Voltage	240V

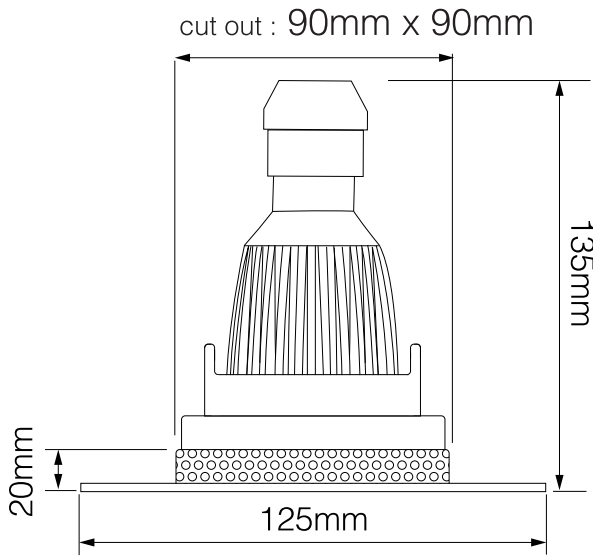
The **Trimless Downlight** is a fixed IP55 rated downlight that is available in round or square, black or white. Using the different lampholders available you can select different light sources; Halogen, LED and Metal Halide. It is designed to be plastered into ceilings to give a **seamless** appearance. One of the advantages is that the downlight can be installed then plastered and painted.

Please note: the ceiling depth for this downlight depends on the lamp choice. For a standard halogen GU10 lamp the depth is 90mm. For an LED GU10 lamp a ceiling depth of 130mm should be allowed.

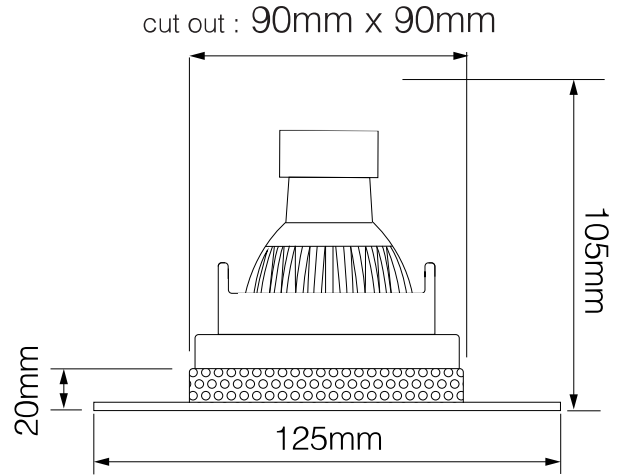
Trimless Square Metal

Trimless Square Fixed Clear Glass Downlight IP55 GU10 240V
White 50W

Trimless Downlights with Large GU10 Lamp



Trimless Downlights with Retro GU10 Lamp



Trimless Downlights with LED Module

