

Trimless Square Metal

Trimless Square Fixed Clear Glass Downlight IP55 GU10 240V
White 50W



MR. RESISTOR[®]
Lighting Specialist Est. 1968



FRTSQ1WHTGU10IP55

White 50W
Quicklink: Q3824

General

Cap	GU10
Colour	White
Construction	Die-Cast Aluminium
Dimmable	Yes
IP Rating	IP55

Dimensions

Cut Out	90 x 90mm (Length x Width)
Grid Length	125mm
Grid Width	125mm
Horizontal Rotation	360°
Length	75mm
Minimum Ceiling Depth	101mm (Standard LED), 133mm (Long LED)
Vertical Rotation	40°
Width	75mm

Electrical

Maximum Wattage	50W
Voltage	240V

The **Trimless Downlight** is a fixed IP55 rated downlight that is available in round or square, black or white. Using the different lampholders available you can select different light sources; Halogen, LED and Metal Halide. It is designed to be plastered into ceilings to give a **seamless** appearance. One of the advantages is that the downlight can be installed then plastered and painted.

Please note: the ceiling depth for this downlight depends on the lamp choice. For a standard halogen GU10 lamp the depth is 90mm. For an LED GU10 lamp a ceiling depth of 130mm should be allowed.

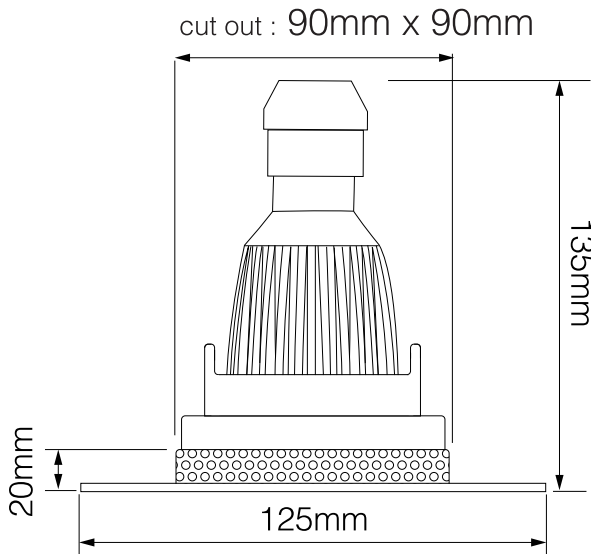
Trimless Square Metal

Trimless Square Fixed Clear Glass Downlight IP55 GU10 240V
White 50W

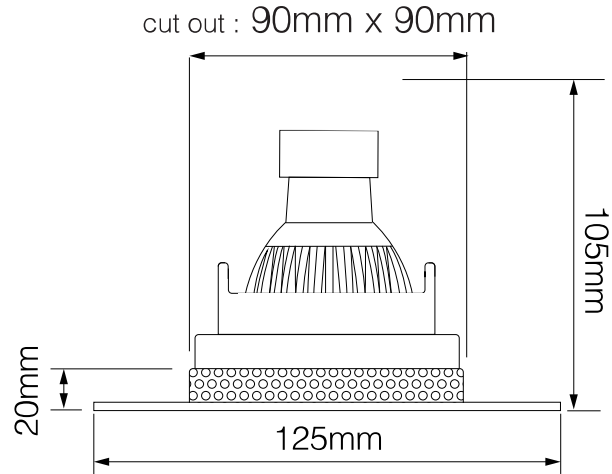


MR. RESISTOR[®]
Lighting Specialist Est. 1968

Trimless Downlights with Large GU10 Lamp



Trimless Downlights with Retro GU10 Lamp



Trimless Downlights with LED Module

