

# Trimless Round Metal

Trimless Round Fixed Clear Glass Downlight IP54 MR16 12V  
Black 50W



**MR. RESISTOR**<sup>®</sup>  
Lighting Specialist Est. 1968



## FRTRD1BLKMR1655B

Black 50W

Quicklink: Q3820

### General

Cap	GU5.3 / MR16
Colour	Black
Construction	Die-Cast Aluminium / Steel Frame
Dimmable	Yes
IP Rating	IP54

### Dimensions

Cut Out	80mm (Diameter)
Diameter	72mm
Minimum Ceiling Depth	90mm
Recessed Depth	20mm

### Electrical

Maximum Wattage	50W
Voltage	12V

The **Trimless Downlight** is a fixed IP54 rated downlight that is available in round or square, black or white. Using the different lampholders available you can select different light sources; Halogen, LED and Metal Halide. It is designed to be plastered into ceilings to give a **seamless** appearance. One of the advantages is that the downlight can be installed then plastered and painted.

A suction cup is included with this fitting for easy lamp changing.

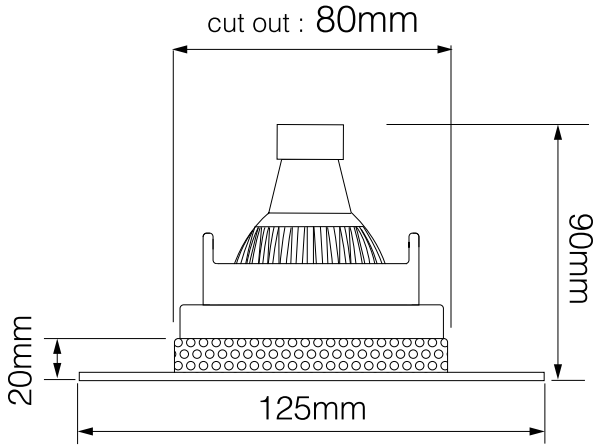
# Trimless Round Metal

Trimless Round Fixed Clear Glass Downlight IP54 MR16 12V  
Black 50W

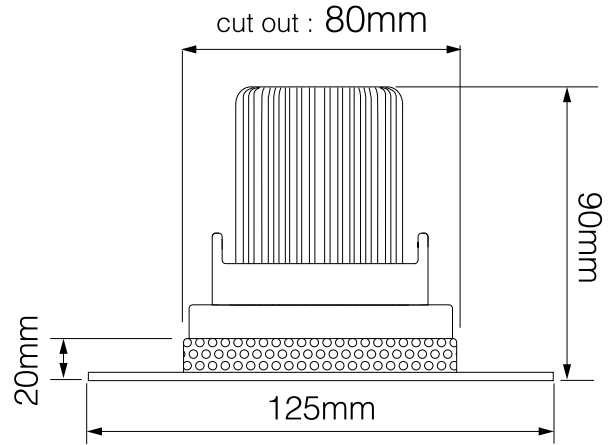


**MR. RESISTOR**<sup>®</sup>  
Lighting Specialist Est. 1968

Trimless Downlights with LED Reality MR16



Trimless Downlights with LED Module



Trimless Downlights with 25mm LED Module

