



### MR3025 CLR/CHR

50W Chrome

Quicklink: Q338D

The 50mm Fixed Downlight holds a 50mm lamp. The downlight uses a spring retention system for easy installation and lamp changing.

This fitting is rated IP54 and can, therefore, be used in a bathroom.

#### General

Cap	GU10
Colour	Chrome
Construction	Die-Cast Aluminium
Dimmable	Yes
IP Rating	IP54

#### Dimensions

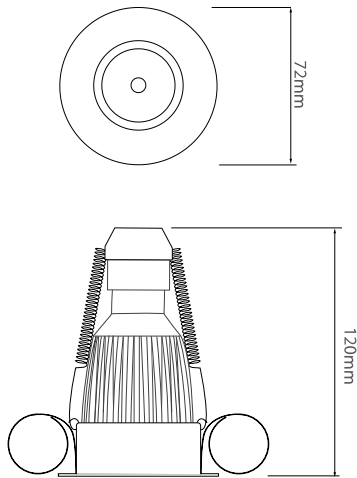
Cut Out	64mm (Diameter)
Diameter	72mm
Minimum Ceiling Depth	86mm (Standard LED), 118mm (Long LED)

#### Electrical

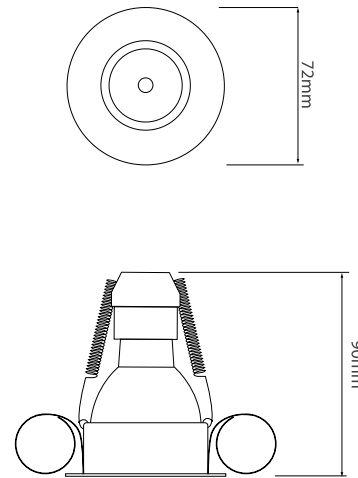
Maximum Wattage	50W
Voltage	240V



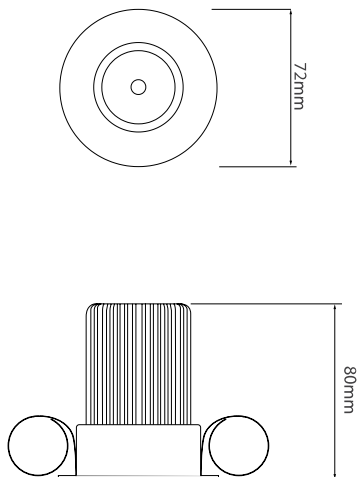
Dimensions using our GU10 LED 7W lamps



Dimensions using our GU10 LED 5W Retro lamps



Dimensions using our LED Module



Dimensions using our LED Module

