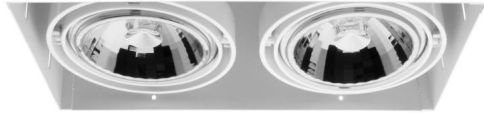


Trimless Grid Metal

Grid Trimless Double AR111 12V
2 x 75W White



FRT200 QR111 WHT

2 x 75W White

Quicklink: Q2E92

General

Cap	G53 / AR111
Colour	White
Construction	Steel
Dimmable	Yes
IP Rating	IP20

Dimensions

Cut Out	320 x 167mm (Length x Width)
Depth	104mm
Horizontal Rotation	45°
Length	313mm
Vertical Rotation	45°
Width	160mm

Electrical

Maximum Wattage	150W (2 x 75W)
Voltage	12V

The **Grid Trimless Double AR111** is an adjustable downlighter that can take up to two 75W lamps, which can be angled in any direction.

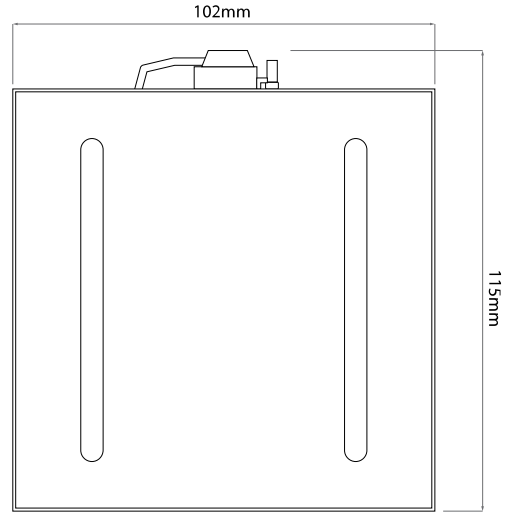
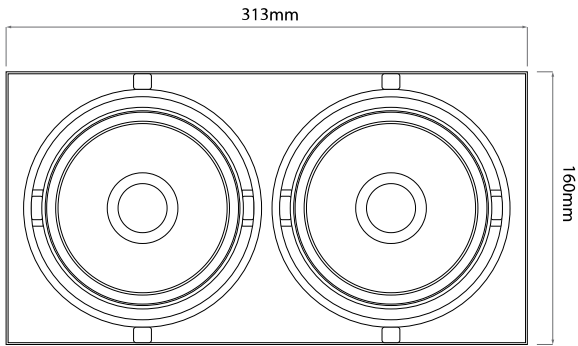
This product comes with a mounting ring which is designed to be fitted into the ceiling and plastered in before the light fixture is put into place. The downlighter fits into the hole in the ceiling and will rest on top of the mounting bracket. Once the light is fitted there will be no trim unlike the similar *Grid Range* of products.

This product comes with a 15mm metal frame that is to be used with a 12.5mm plasterboard. If you have a double plaster board or need a larger frame please purchase the 28mm frame.

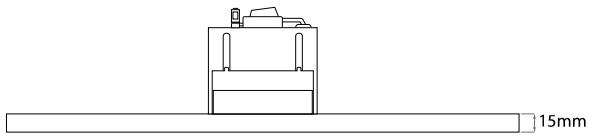
This version takes two low voltage AR111 G53 75W maximum lamps (available separately). Each lamp has its own terminal, allowing you to wire all lamps to one transformer or for each lamp to have its own transformer. Using a separate transformer for each lamp gives better flexibility as each individual lamp can be dimmed or switched as required. If you wish to see detailed installation instructions, please click on the technical tab.

Trimless Grid Metal

Grid Trimless Double AR111 12V
2 x 75W White



Section drawing for FRT200 Frame 15mm



Section drawing for FRT200 Frame 28mm

