

Trimless Square Metal

Trimless Square Adjustable Downlight MR16 12V
Black 50W



MR. RESISTOR[®]
Lighting Specialist Est. 1968



FRTSQ1 BLK MR16

Black 50W

Quicklink: Q281F

The New **Trimless Downlight** is a fully adjustable downlight that is available in round or square, black or white. Using the different lampholders available you can select different light sources; Halogen, LED and Metal Halide. It is designed to be plastered into ceilings to give a **seamless** appearance. One of the advantages is that the downlight can be installed then plastered and painted.

General

Cap	GU5.3 / MR16
Colour	Black
Construction	Die-Cast Aluminium / Steel Frame
Dimmable	Yes
IP Rating	IP00

Dimensions

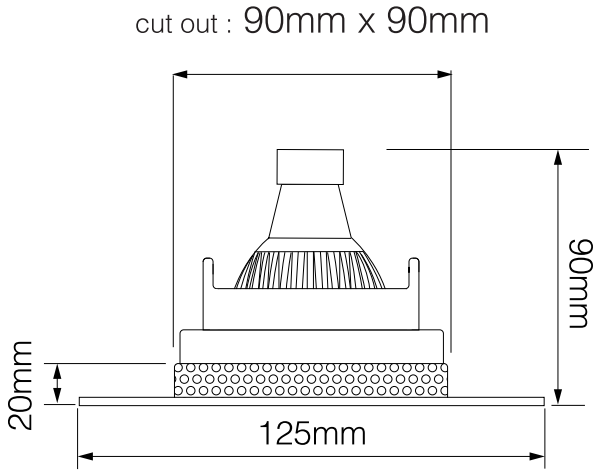
Cut Out	90 x 90mm (Length x Width)
Grid Diameter	125mm
Horizontal Rotation	360°
Length	80mm
Minimum Ceiling Depth	90mm
Vertical Rotation	40°
Width	75mm

Electrical

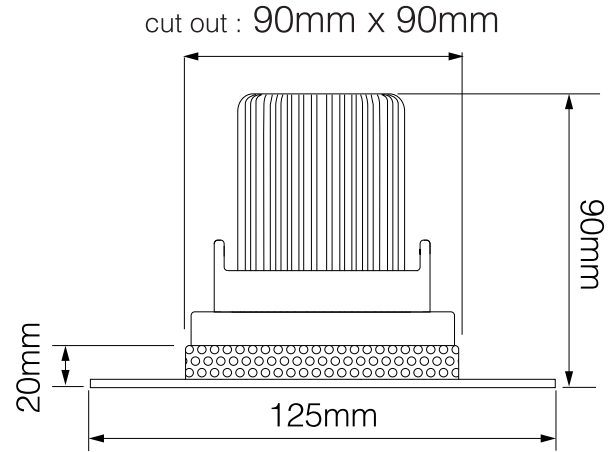
Maximum Wattage	50W
Voltage	12V



Trimless Downlights with LED Reality MR16



Trimless Downlights with LED Module



Trimless Downlights with 25mm LED Module

