

Trimless Round Metal

Trimless Round Adjustable Downlight MR16 12V
Black 50W



MR. RESISTOR[®]
Lighting Specialist Est. 1968



FTRTD1BLKMR16A

Black 50W
Quicklink: Q281D

The **Trimless Downlight** is a fully adjustable downlight that is available in round or square, black or white. Using the different lampholders available you can select different light sources; Halogen, LED and Metal Halide. It is designed to be plastered into ceilings to give a **seamless** appearance. One of the advantages is that the downlight can be installed then plastered and painted.

General

Cap	GU5.3 / MR16
Colour	Black
Construction	Die-Cast Aluminium / Steel Frame
Dimmable	Yes

Dimensions

Cut Out	80mm (Diameter)
Diameter	75mm
Minimum Ceiling Depth	90mm
Recessed Depth	20mm
Vertical Rotation	40°

Electrical

Maximum Wattage	50W
Voltage	12V

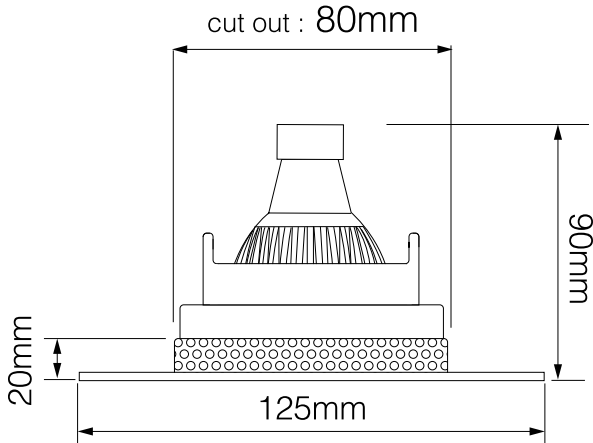
Trimless Round Metal

Trimless Round Adjustable Downlight MR16 12V
Black 50W

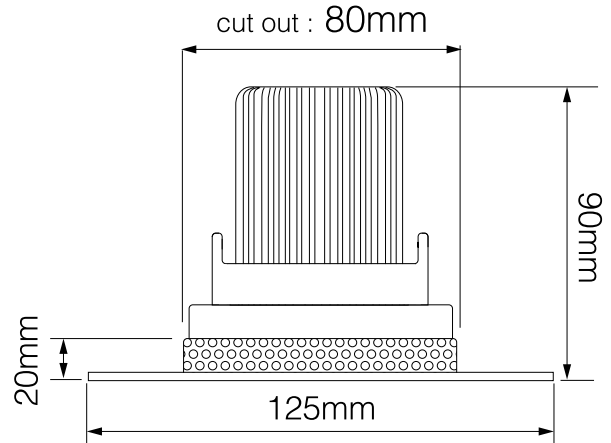


MR. RESISTOR[®]
Lighting Specialist Est. 1968

Trimless Downlights with LED Reality MR16



Trimless Downlights with LED Module



Trimless Downlights with 25mm LED Module

