

Trimless Round Metal

Trimless Round Adjustable Downlight 12V
White 50W



FRTRD1WHTMR16A

White 50W
Quicklink: Q281C

The **Trimless Downlight** is a fully adjustable downlight that is available in round or square, black or white. Using the different lampholders available you can select different light sources; Halogen, LED and Metal Halide. It is designed to be plastered into ceilings to give a **seamless** appearance. One of the advantages is that the downlight can be installed then plastered and painted.

General

Cap	GU5.3 / MR16
Colour	White
Construction	Die-Cast Aluminium / Steel Frame
Dimmable	Yes
RAL Colour Code	RAL 9010

Dimensions

Cut Out	80mm (Diameter)
Diameter	75mm
Minimum Ceiling Depth	90mm
Recessed Depth	20mm
Vertical Rotation	40°

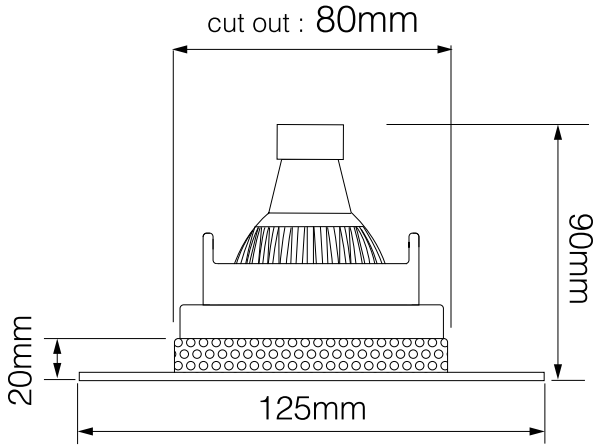
Electrical

Maximum Wattage	50W
Voltage	12V

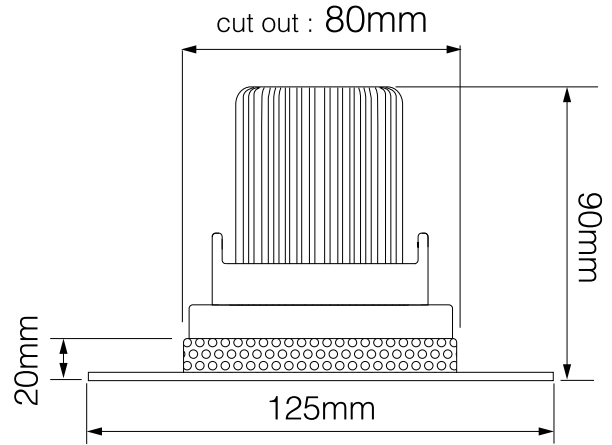
Trimless Round Metal

Trimless Round Adjustable Downlight 12V
White 50W

Trimless Downlights with LED Reality MR16



Trimless Downlights with LED Module



Trimless Downlights with 25mm LED Module

