

# Trimless Round Metal

Trimless Round Adjustable Downlight 12V  
White 50W



**MR. RESISTOR**<sup>®</sup>  
Lighting Specialist Est. 1968



## **FTRTD1WHTMR16A**

White 50W  
Quicklink: Q281C

The **Trimless Downlight** is a fully adjustable downlight that is available in round or square, black or white. Using the different lampholders available you can select different light sources; Halogen, LED and Metal Halide. It is designed to be plastered into ceilings to give a **seamless** appearance. One of the advantages is that the downlight can be installed then plastered and painted.

### **General**

Cap	GU5.3 / MR16
Colour	White
Construction	Die-Cast Aluminium / Steel Frame
Dimmable	Yes
RAL Colour Code	RAL 9010

### **Dimensions**

Cut Out	80mm (Diameter)
Diameter	75mm
Minimum Ceiling Depth	90mm
Recessed Depth	20mm
Vertical Rotation	40°

### **Electrical**

Maximum Wattage	50W
Voltage	12V

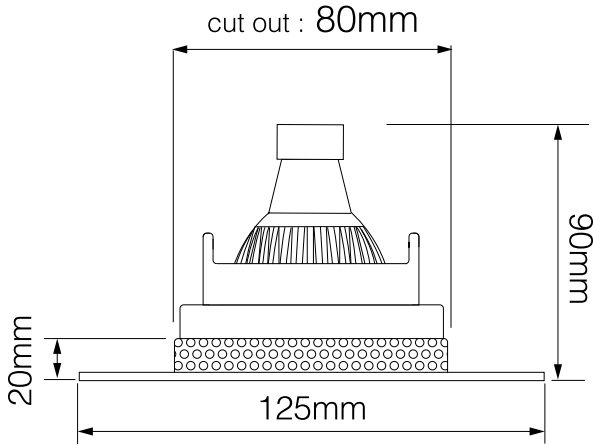
# Trimless Round Metal

Trimless Round Adjustable Downlight 12V  
White 50W

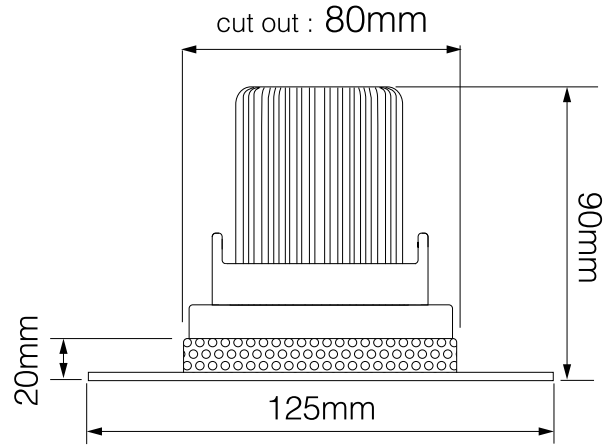


**MR. RESISTOR**<sup>®</sup>  
Lighting Specialist Est. 1968

Trimless Downlights with LED Reality MR16



Trimless Downlights with LED Module



Trimless Downlights with 25mm LED Module

